

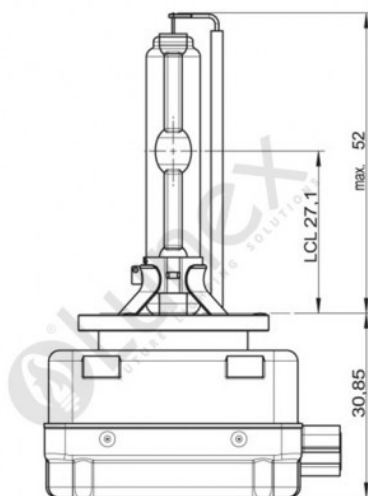
D3S LUNEX Standard 4300K



Product Description

Xenon Standard 4300K has a slightly off-white light similar to that of sunlight, giving maximum transparency on the road. Thanks to the latest technology, Xenon bulbs are the most durable and least energy-consuming.

High Intensity Discharge HID Xenon bulbs produce up to two times more luminous power than standard halogen bulbs, thereby improving driving safety in all conditions. HID headlights produce a whiter, brighter light than normal headlight bulbs, provide maximum visibility and safety. They last far longer than standard bulbs. The light they provide is more intense and offers a consistent, clearly defined beam.



Technical data

| | |
|-------------------------|---------|
| Power input | 35 W |
| Power input tolerance | ±3 % |
| Nominal voltage | 42 V |
| Nominal wattage | 35 W |
| Test voltage | 13.5 V |
| Luminous flux | 3200 lm |
| Luminous flux tolerance | ±15 % |
| Color temperature | 4300 K |
| Product weight | 63 g |
| Base | PK32d-5 |
| Lifespan B3 | 1450 h |
| Lifespan Tc | 2950 h |